



P/N: 40ST1200 DATA SHEET

Feature



- 10/100 BASE-TX DUAL Port transformer modules for use with transceivers requiring 1:1 transmit and receive turn ratios.
- Compliant with IEEE802.3uH and ANSI X3.263 standards.
- Modules designed to support two RJ-45 connectors.
- Operating temperature range: 0°C to +70°C.
- Storage temperature range: -25°C to +125°C.

Electrical Specifications @ 25°C

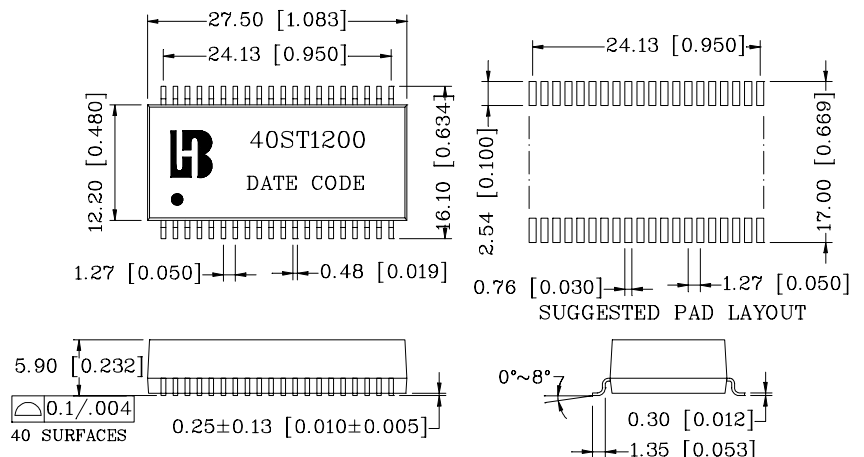
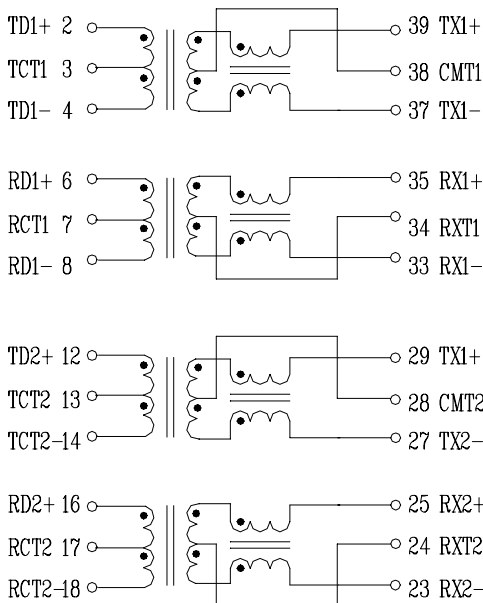
Part Number	Turns Ratio		OCL(uH Min) @100KHz/0.1V with 8mA DC Bias	Cross talk (dB Min)		HI-POT (Vrms)
	TX	RX		0.3-60MHz	60 -100MHz	
40ST1200	1CT:1CT	1CT:1CT	350	-40	-35	1500

Continue

Part Number	Insertion Loss (dB Max)	Return Loss (dB Min)				DCMR (dB Min)		
		0.3-100MHz	2-30MHz	40MHz	50MHz	60-80MHz	60MHz	100MHz
40ST1200	-1.15	-16	-14.4	-13	-12	-37	-28	-25

Schematic

Mechanical



Units: mm [Inches] Tolerance: xx.x0±0.25 [0.010]
0.xx±0.05 [0.002]